



CoreLine panel

RC132V G5 36S/840 PSD W30L120 OC

CoreLine panel, 28.5 W, 1200x300 mm, 3600 lm, 4000 K, DALI, UGR19

Whether for a new building or renovation of an existing space, customers want lighting solutions that provide quality of light and substantial energy and maintenance savings. The new CoreLine Panel range of LED products can be used to replace functional luminaires in general lighting applications. Both Non-Office Compliant (NOC) version and Office Compliant version (OC) are now available. The process of selecting, installing and maintaining is so easy – it's a simple switch. Also available as an Interact Ready wireless CoreLine luminaire panel that works with Interact Pro lighting software and InteractReady devices to provide a connected lighting system for SMEs

Product data

| General Information | |
|--------------------------|---|
| Light source replaceable | No |
| Number of gear units | Unit |
| Driver included | Yes |
| Lighting Technology | LED |
| Value ladder | Performance |
| CE mark | Yes |
| Warranty period | 5 years |
| Flammability mark | For mounting on normally flammable surfaces |
| ENEC mark | ENEC mark |
| Glow-wire test | Temperature 650 °C, duration 30 s |
| EU RoHS compliant | Yes |

| Light Technical | |
|----------------------------------|-------------------|
| Luminous Flux | 3,600 lm |
| Saturated Red (R9) | <50 |
| Correlated Colour Temperature | 4000 K |
| Luminous efficacy (rated) (nom.) | 125 lm/W |
| Colour rendering index (CRI) | ≥80 |
| Flickering value (PstLM) | 1 |
| Stroboscopic effect | 0.4 |
| Light source colour | 840 neutral white |
| Optic type | Beam angle 90° |
| Luminaire light beam spread | 90° |
| Unified Glare Rating (CEN) | 19 |

CoreLine panel

| Operating and Electrical | |
|--|--------------------------|
| Input Voltage | 220-240 V |
| Line Frequency | 50 or 60 Hz |
| Inrush current | 18.3 A |
| Inrush time | 0.276 ms |
| Power Consumption | 28.5 W |
| Power Factor (Fraction) | 0.9 |
| Connection | Push-in connector 5-pole |
| Cable | - |
| Number of products on MCB of 16 A type B | 14 |

| Temperature | |
|---------------------------|---------------|
| Ambient temperature range | -10 to +40 °C |

| Controls and Dimming | |
|-------------------------------|---------------------------------------|
| Dimmable | Yes |
| Driver/power unit/transformer | Power supply unit with DALI interface |
| Control interface | DALI |
| Constant light output | No |

| Mechanical and Housing | |
|-------------------------------------|---------------------|
| Housing material | Steel |
| Reflector material | Acrylate |
| Optic material | Polystyrene |
| Optical cover/lens material | Acrylate |
| Fixation material | - |
| Housing Colour | White |
| Optical cover/lens finish | Microprismatic lens |
| Overall length | 1,195 mm |
| Overall width | 295 mm |
| Overall height | 67 mm |
| Dimensions (height x width x depth) | 67 x 295 x 1195 mm |

| Approval and Application | |
|------------------------------|--|
| Ingress protection code | IP20/44 [Finger-protected; wire-protected, splash-proof] |
| Mech. impact protection code | IK03 [0.3 J] |

| | |
|------------------------------------|--|
| Sustainability rating | - |
| Protection class IEC | Safety class II |
| Photobiological risk | Photobiological risk group 0 @200mm to EN62778 |
| Photobiological risk specification | 0.2 m |

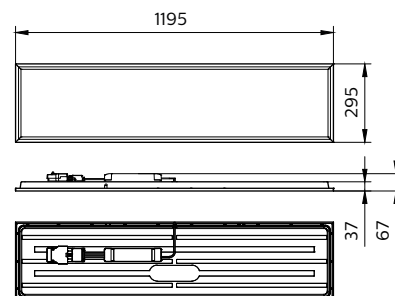
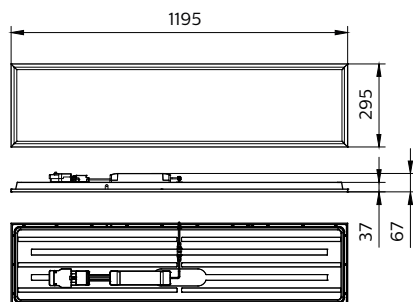
| Initial Performance (IEC Compliant) | |
|-------------------------------------|---------------------|
| Luminous flux tolerance | +/-10% |
| Initial chromaticity | (0.38, 0.38) SDCM≤3 |
| Power consumption tolerance | +/-10% |

| Over Time Performance (IEC Compliant) | |
|--|-----|
| Control gear failure rate at median useful life 50,000 h | 5 % |
| Lumen maintenance at median useful life* 50,000 h | L90 |
| Lumen maintenance at median useful life* 100,000 h | L80 |

| Application Conditions | |
|------------------------------------|-------|
| Performance ambient temperature Tq | 25 °C |
| Maximum dim level | 3% |
| Suitable for random switching | Yes |

| Product Data | |
|-----------------------------------|----------------------------------|
| Order product name | RC132V G5 36S/840 PSD W30L120 OC |
| Full product name | RC132V G5 36S/840 PSD W30L120 OC |
| Full EOC | 871951495013900 |
| Order code | 95013900 |
| Material no. (12 NC) | 911401841984 |
| SAP numerator – quantity per pack | 1 |
| EAN/UPC – Product/Case | 8719514950139 |
| Numerator – packs per outer box | 1 |
| EAN/UPC - Case | 8719514950139 |

Dimensional drawing



CoreLine panel

